

BL 1200 – SORT CONNECT

Connecting the bulk sorter to integrated systems or analyser lines



Automatic transfer of samples
from the bulk loader to the analyser line

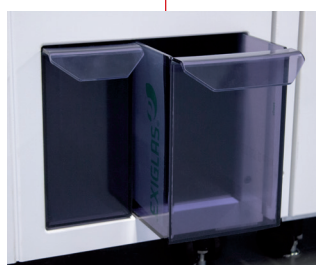
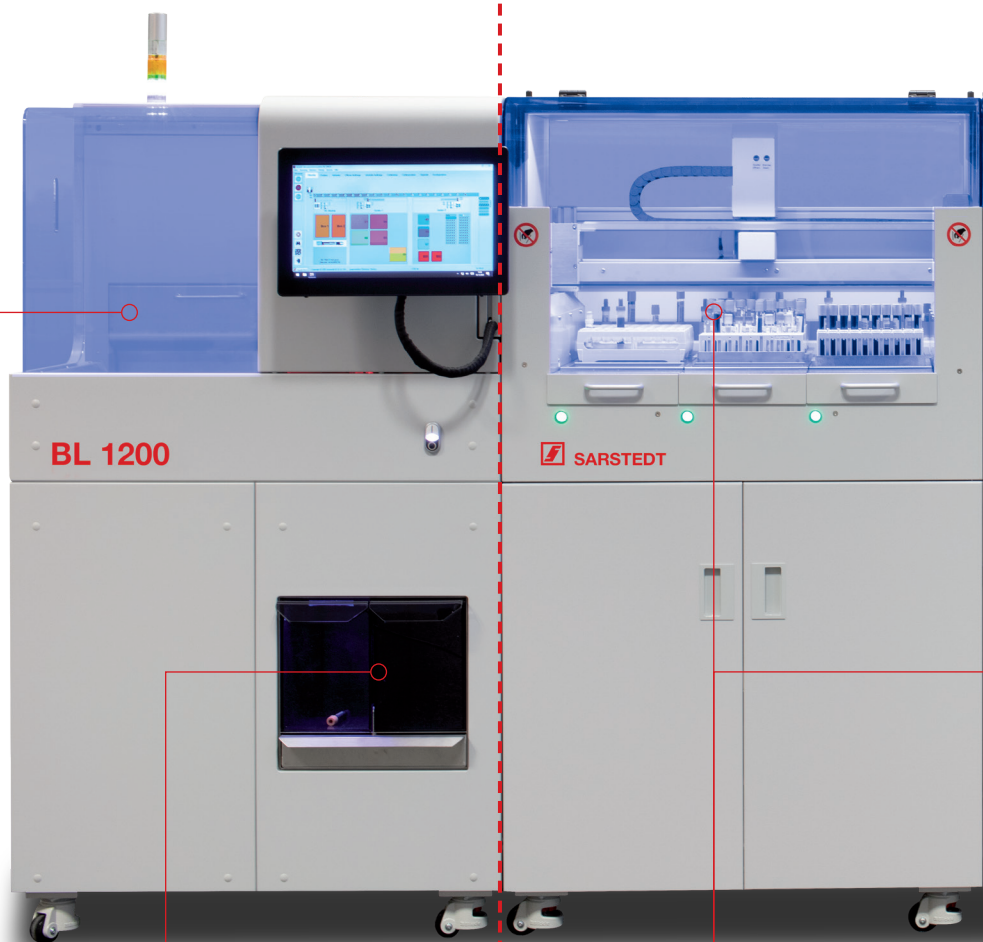
Bulk loader module – identifies tube type and access samples

Sorter module(s) – sorts samples



The bulk loader module can be used to identify tube types and to access samples.

The tubes are fed conveniently in bulk, without the need for pre-racking.



Tubes destined for processing in another location can be sorted into bins for space-saving transportation.

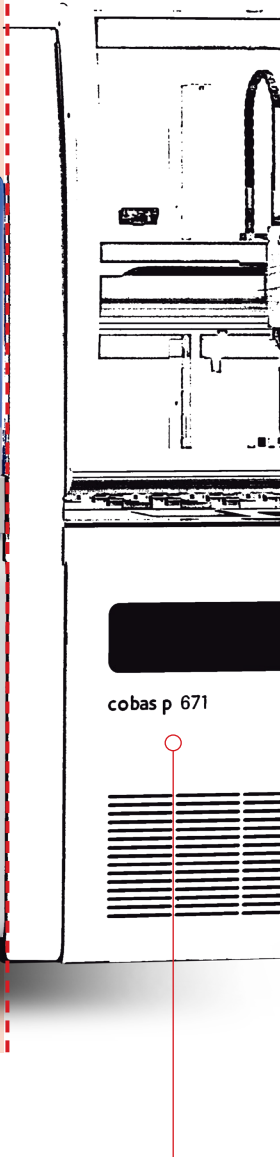


Samples not destined for the laboratory line are separated out here, placed into racks and made available for manual extraction.

...tubes into racks



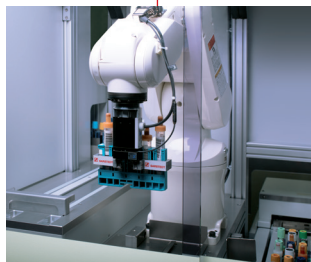
SORT CONNECT module-transfer of samples to the laboratory line



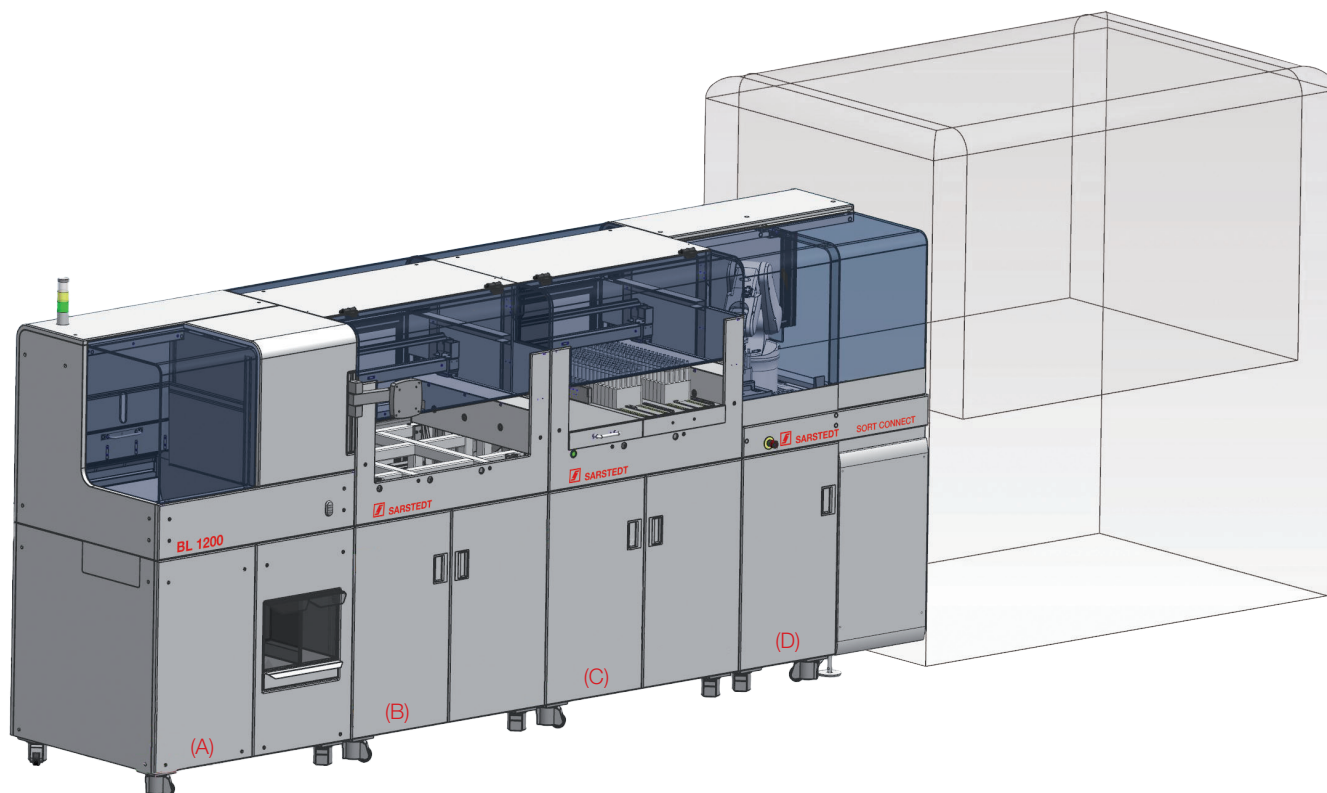
Universal connection to a laboratory line or integrated system, e.g. cobas p 671.



On sorter 2, tubes are placed into previously prepared system racks for the laboratory line. Partially filled racks are automatically completed with balancing tubes for centrifugation.



At the SORT CONNECT module, the robot arm transfers system racks from the bulk sorter to the laboratory line.



Configuration example – system composed of:
Bulk loader module (A), Sorter module 1 (B), Sorter module 2 (C), SORT CONNECT module (D)

Summary of benefits

- SORT CONNECT – bulk feeding of samples with universal connection to laboratory lines
- Process optimisation, with pre-sorting and separation of tubes not destined for testing on the line
- Partially filled racks are automatically completed with balancing tubes for centrifugation
- Sample accessioning
- Intelligent sample tracing where test order is missing
- Freely configured sorter platforms
- Automatic distribution to all common makes of analyser rack or into bins
- Modular design enables a range of configurations
- Can handle a large number of different tube types

Technical information

Load capacity:	approx. 600 tubes	
Throughput:	up to 1200 tubes/hr	
Tube types:	length (inc. cap) 75–120 mm diameter (inc. cap) 11–19 mm	
Sorting:	according to LIS or individual rules	
Dimensions: (WxDxH)	Bulk loader module:	880x757x153 mm
	Sorter module:	869x757x153 mm
	SORT CONNECT module:	832x1074x153 mm
Weight:	Bulk loader module:	approx. 250 kg
	Sorter module:	approx. 200 kg
	SORT CONNECT module:	approx. 110 kg
Power supply:	230 V/50 Hz 115 V/60 Hz	
Connection:	The connection to a laboratory line is configured for the specific system and may differ from this illustration.	

SARSTEDT AG & Co. KG
P.O. Box 12 20
D-51582 Nümbrecht
Phone: +49 2293 305 0
Fax: +49 2293 305 3992
export@sarstedt.com
www.sarstedt.com